



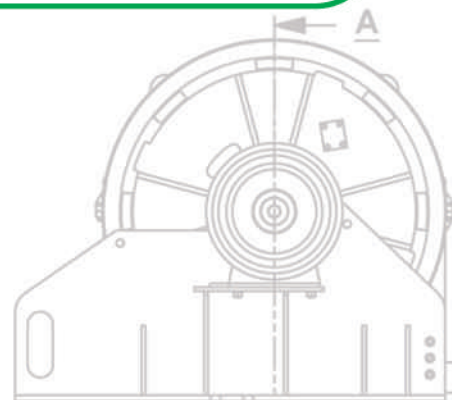
FLUIDMECCANICA

HAULERS



**Haulers for net, longline and siege.**

**Fully built in cast aluminum, naval quality. It is composed by a drum covered with rubber and mounted on bearings and galvanized steel porch.**





**FLUIDMECCANICA**

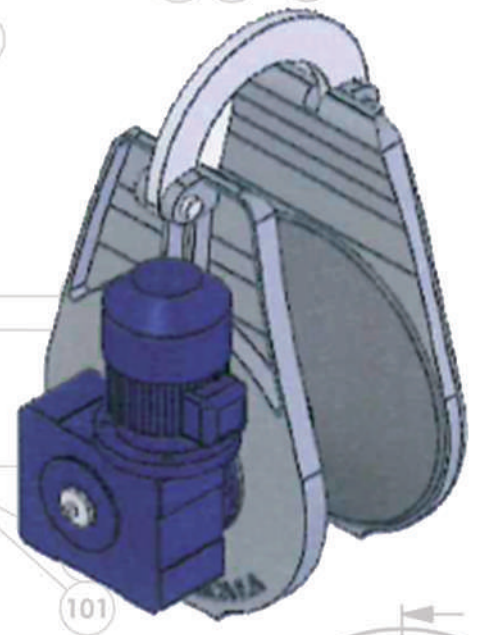
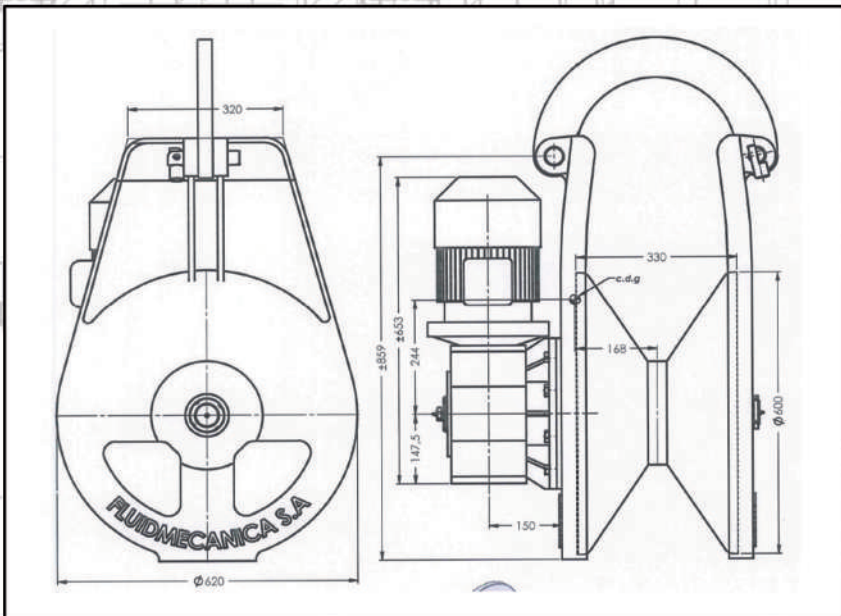
**HAULERS**



**Main characteristics**

**Nominal pull ..... up to 80 Ton**

**Drive: electric or hydraulic**



**[www.fluidmeccanica.com](http://www.fluidmeccanica.com)**