

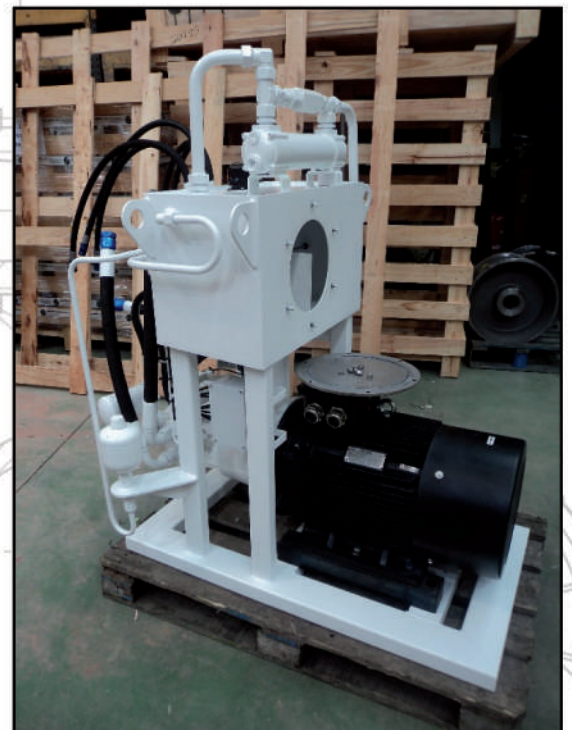


FLUIDMECCANICA

POWER PACKS



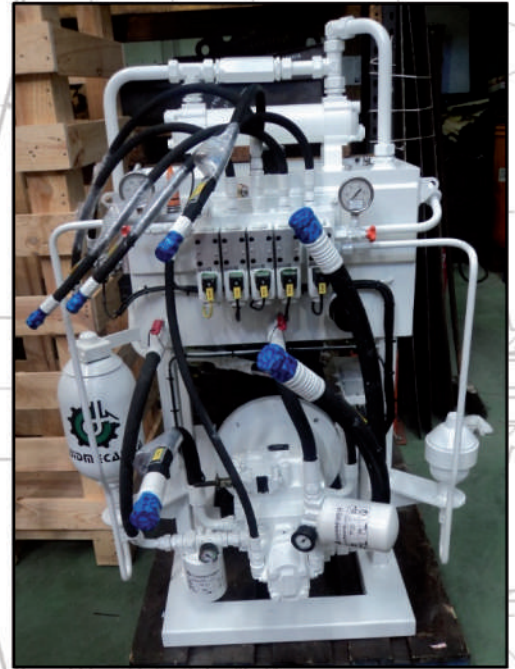
Hydraulic power packs in any configuration. We design and produce power packs to any flow for our systems and all the other equipment on board. the power pack can be supplied with special features like Explosion proof, failure auto start, redundant alarms and control system, constant power, military and flame proof hydraulic fluids. Our own design bureau can develop special dimensions in order to fit in any ship





FLUIDMECCANICA

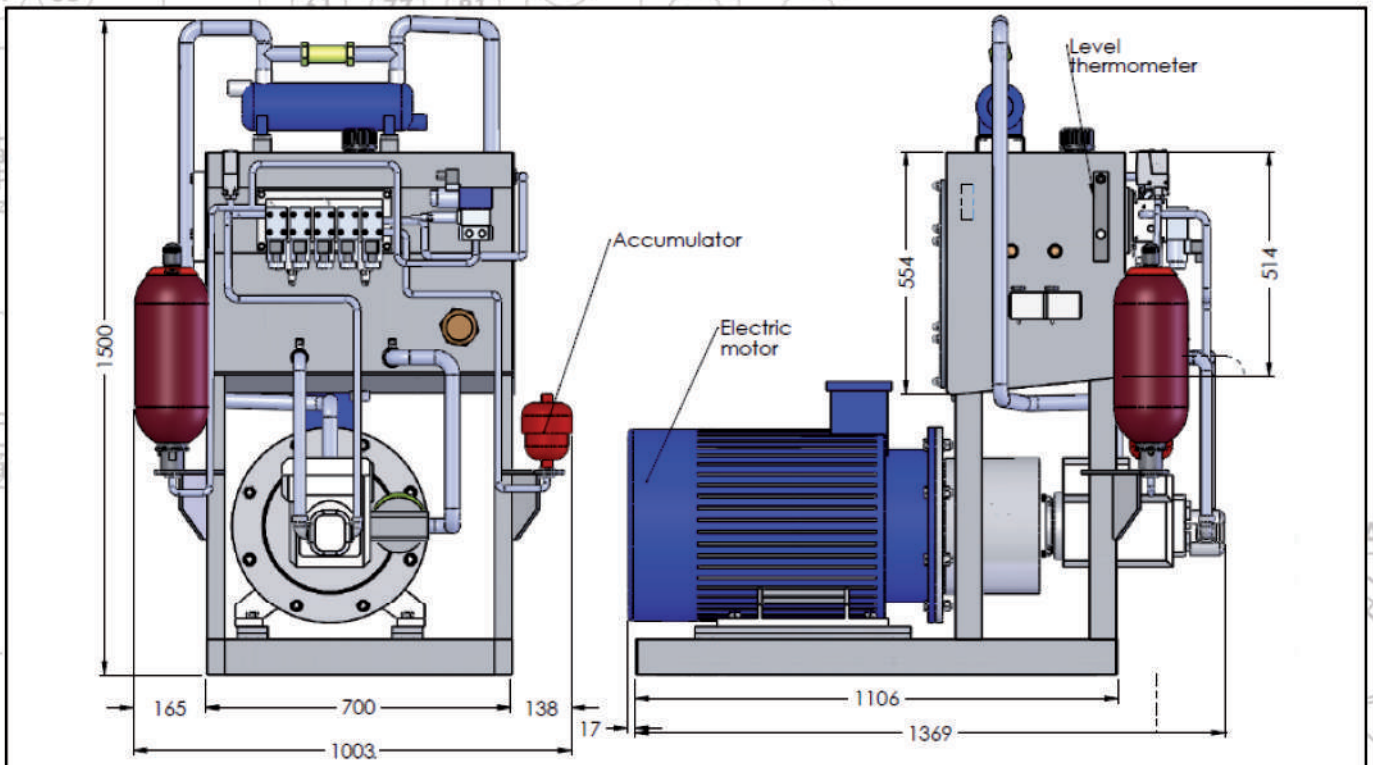
POWER PACKS



Main characteristics

Power up to 250 kW

Number of pumps up to 3



www.fluidmeccanica.com