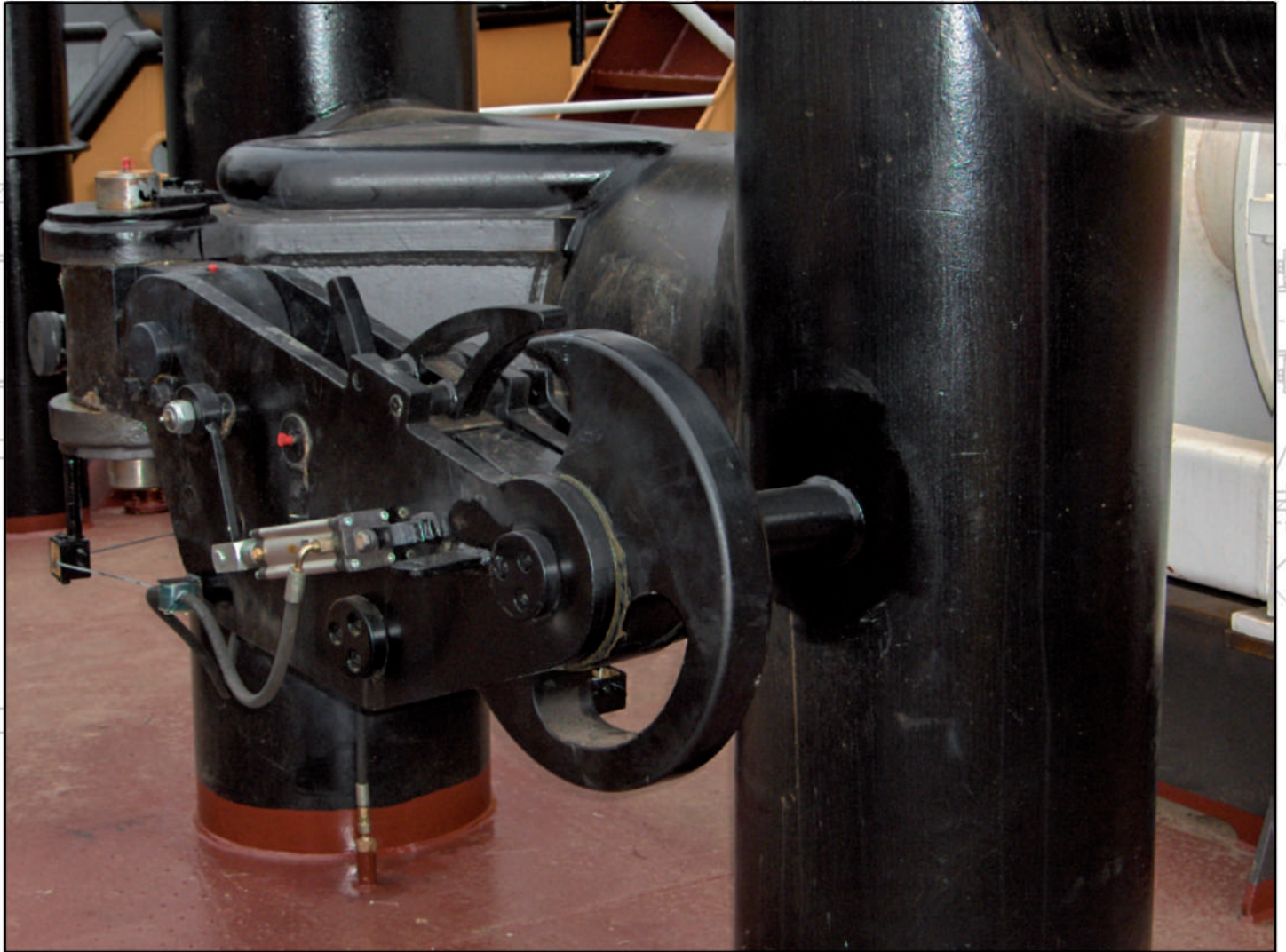




FLUIDMECCANICA

TOWING HOOKS

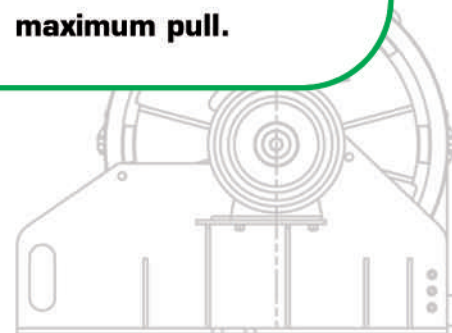


Release: manual, electric, pneumatic and hydraulic.

A limitation of the angle of the hook prevents the hook touch the deck.

Safety: automatic shot by slope of the boat or maximum pull.

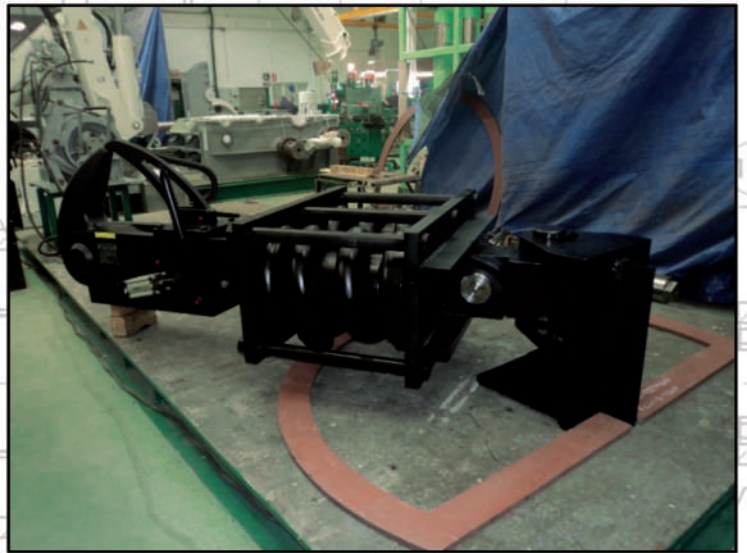
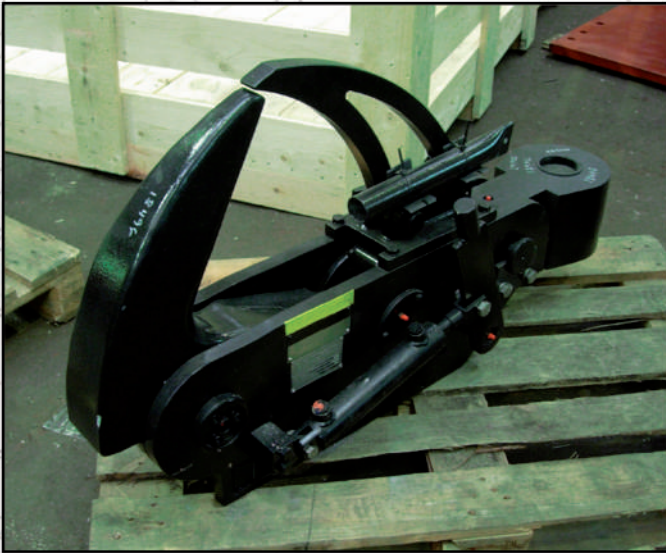
13-4 15 72 54 131 13-6





FLUIDMECCANICA

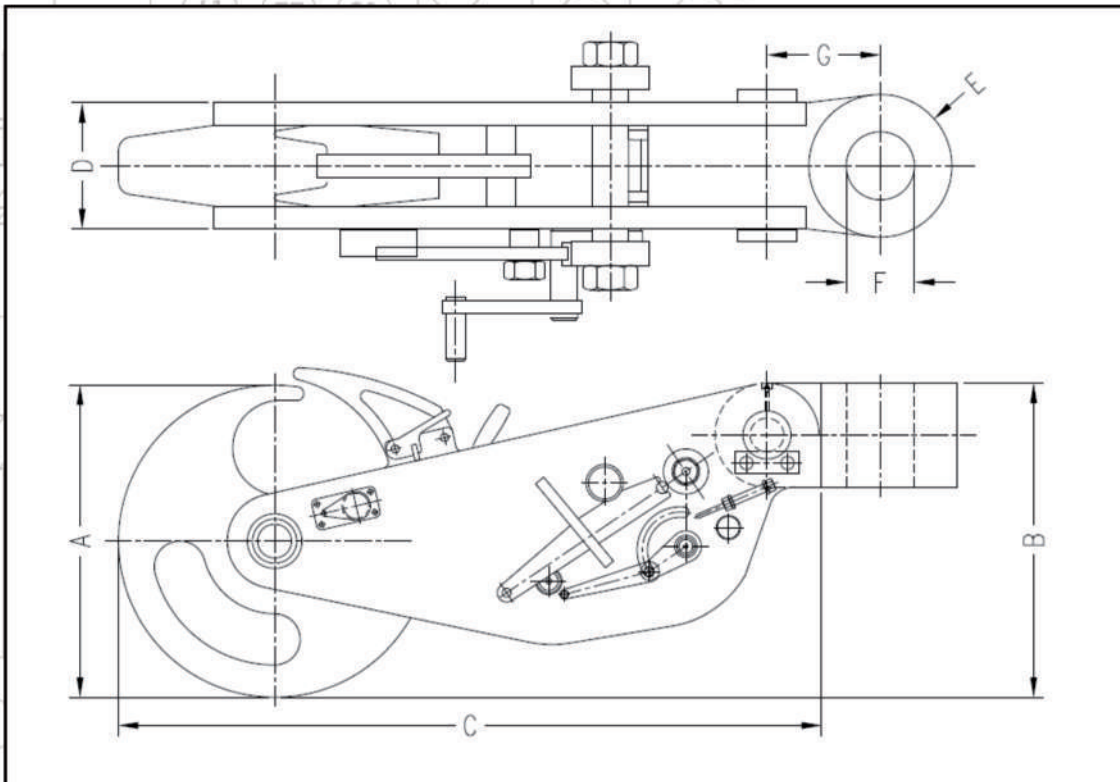
TOWING HOOKS



Main characteristics

Nominal pull.....up to 80 Ton

Release: manual, electric, pneumatic and hydraulic



www.fluidmeccanica.com