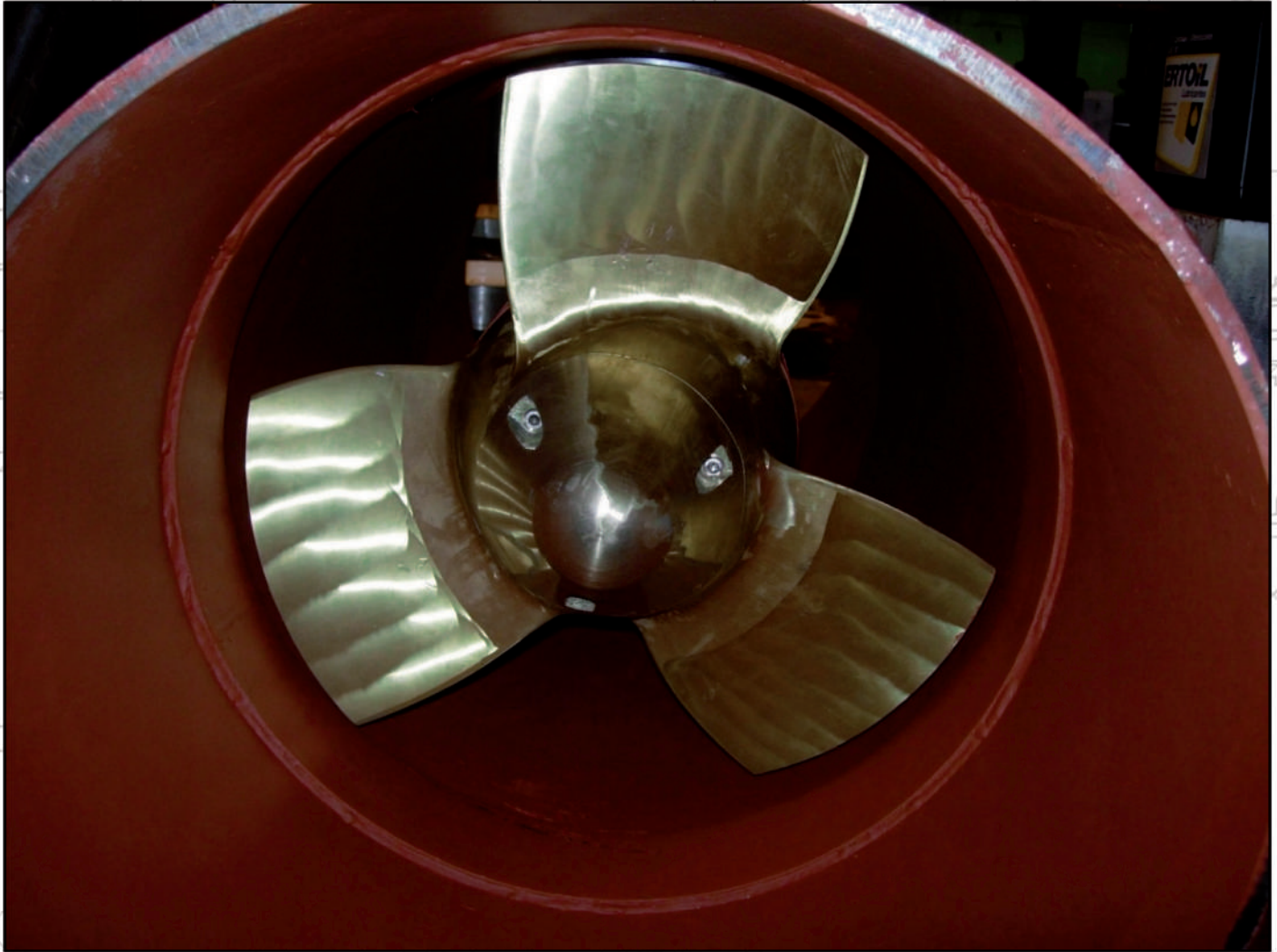




FLUIDMECANICA

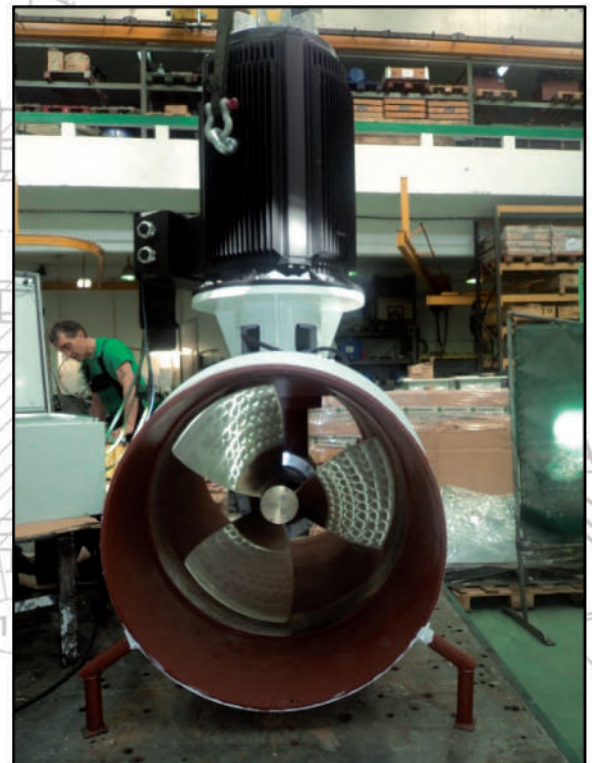
THRUSTERS



The intended use of the thruster is to help during mooring operations and increase the steering of the vessel.

FLUIDMECANICA has a long experience in government systems (steering gears and bow thrusters).

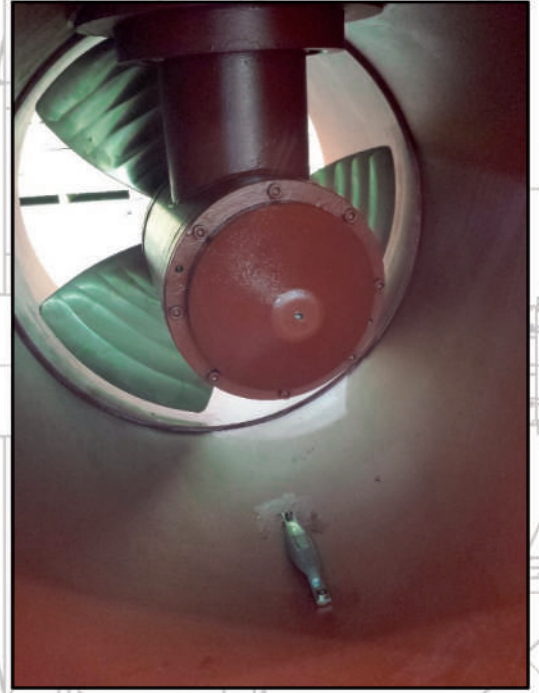
The electric drive includes a frequency converter to achieve a 0 to 100% speed regulation. The frequency converter is adequate for the smooth regulation and fast response necessary to meet often and fast docking operations.





FLUIDMECCANICA

THRUSTERS

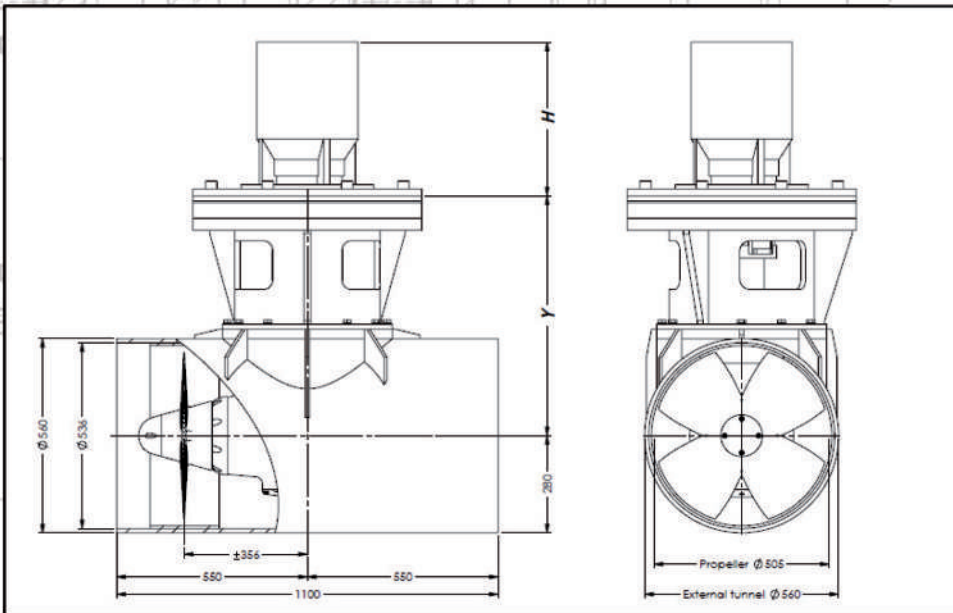
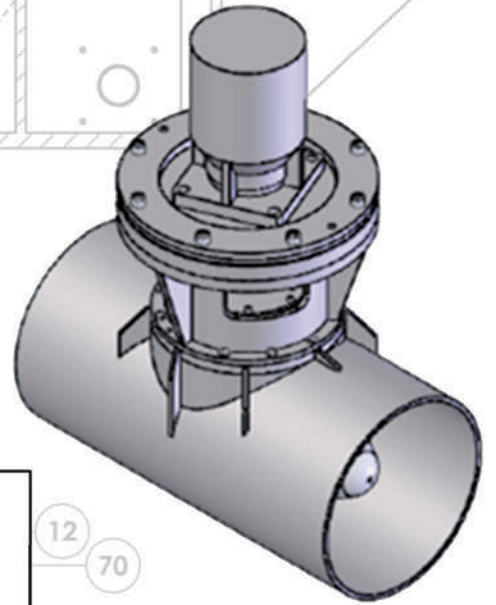


Main characteristics

Thrustup to 170 kN

Power.....up to 1300 kW

Drive: electric or hydraulic



www.fluidmeccanica.com

